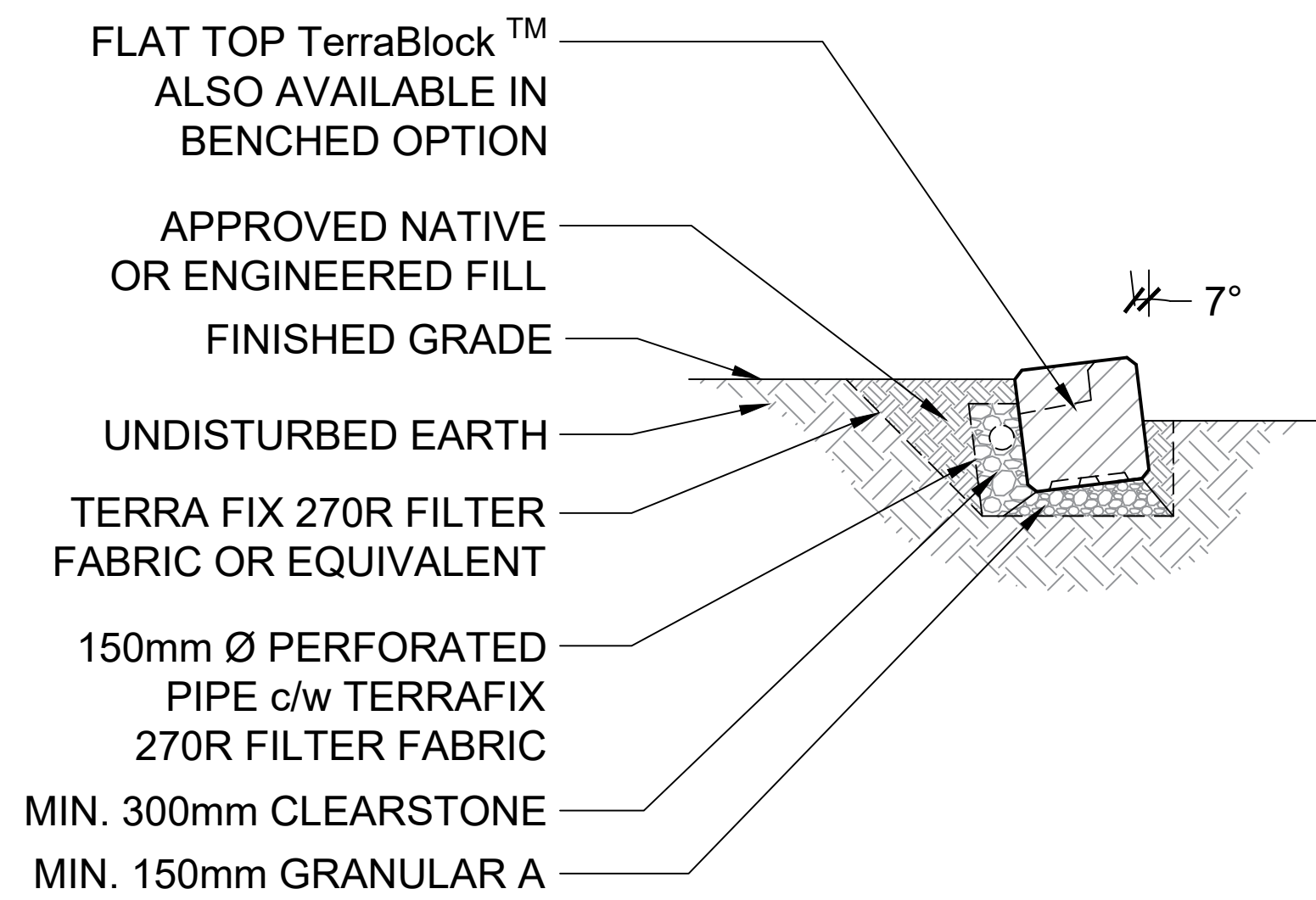


DNM TerraBlock™ TYPICAL DETAIL

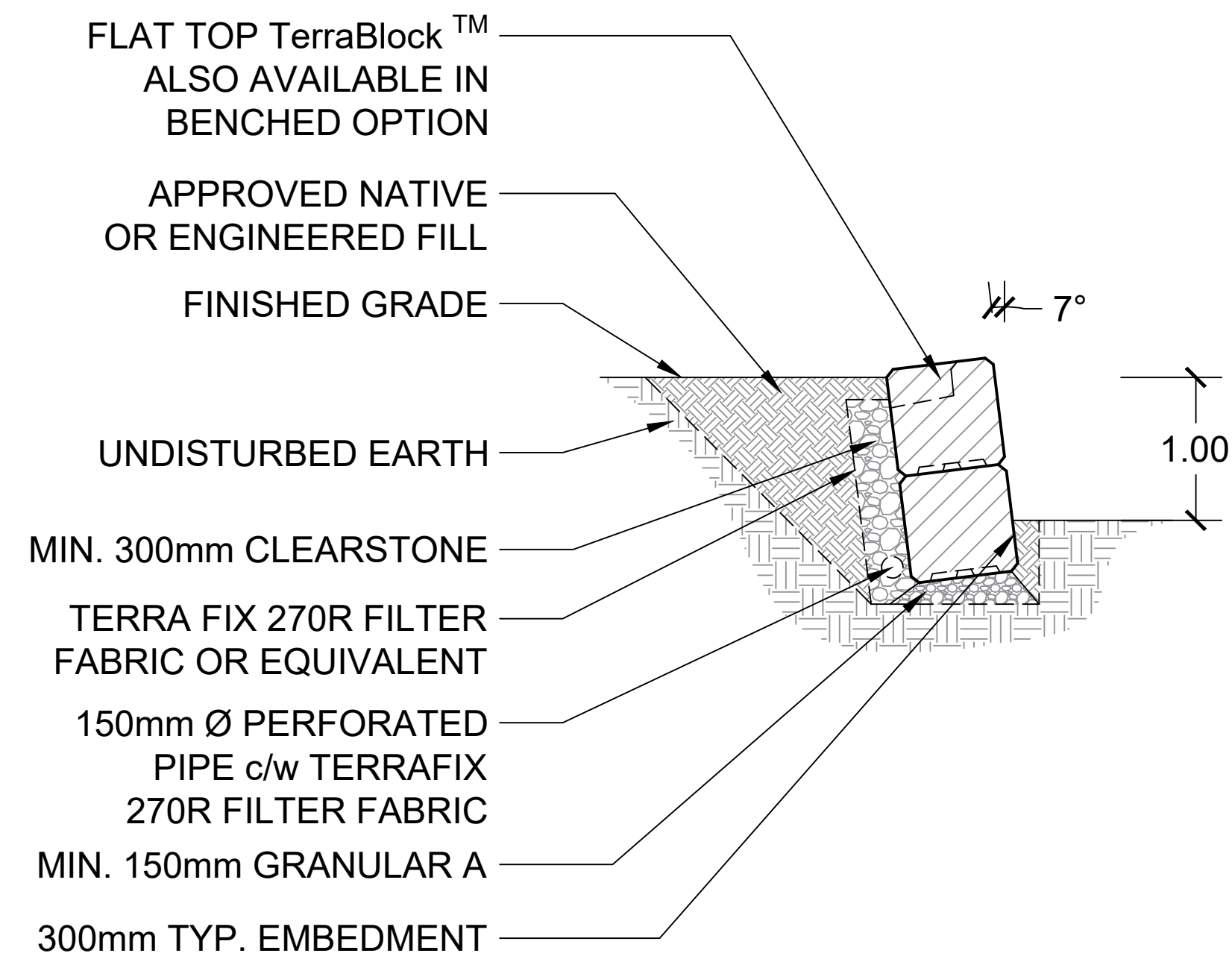
RETAINED HEIGHT: 0.25m - 0.55m



DESIGN TO BE REVIEWED BY PROFESSIONAL ENGINEER PRIOR TO CONSTRUCTION

DNM TerraBlock™ TYPICAL DETAIL

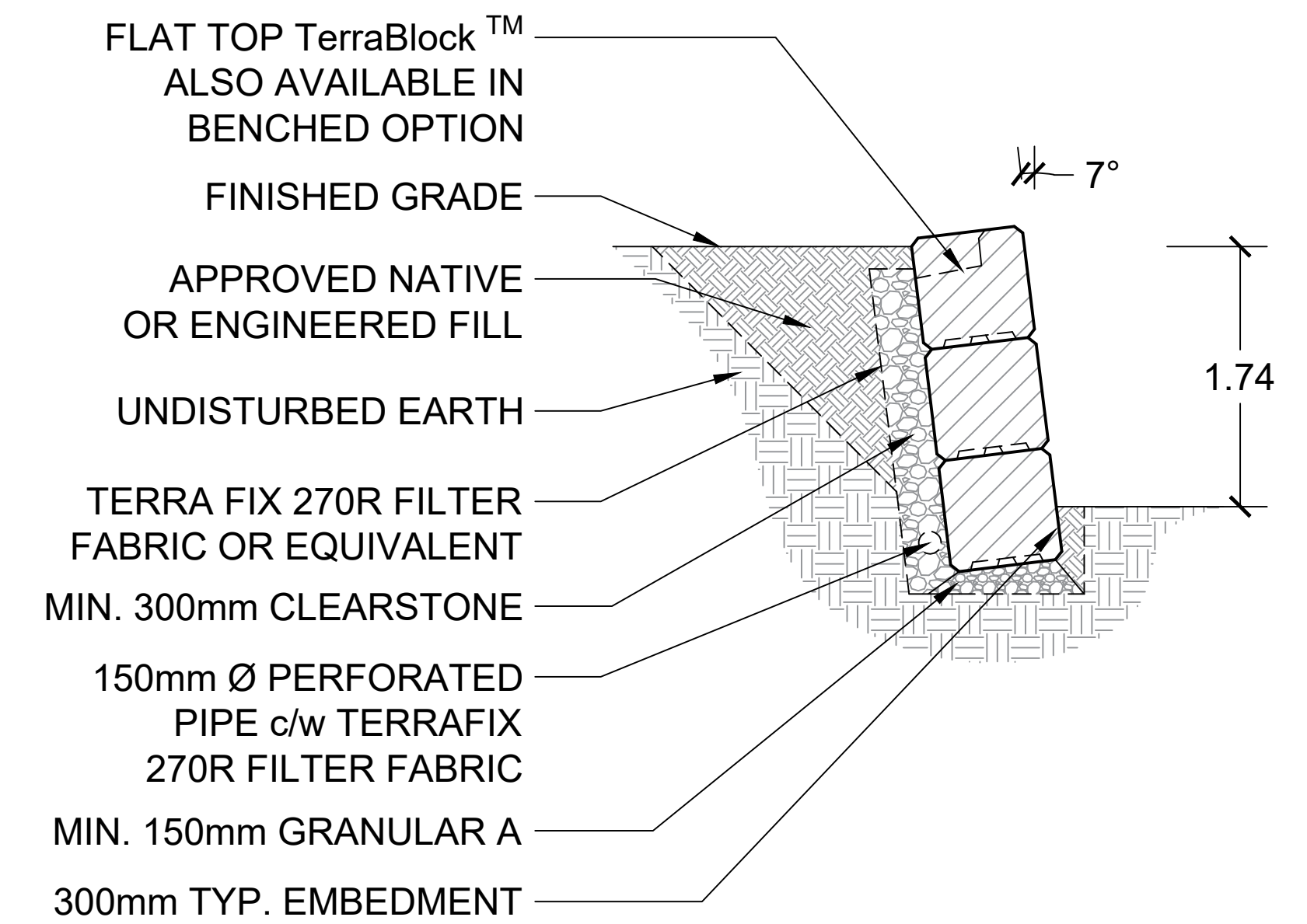
MAX RETAINED HEIGHT: 1.00m



DESIGN TO BE REVIEWED BY PROFESSIONAL ENGINEER PRIOR TO CONSTRUCTION

DNM TerraBlock™ TYPICAL DETAIL

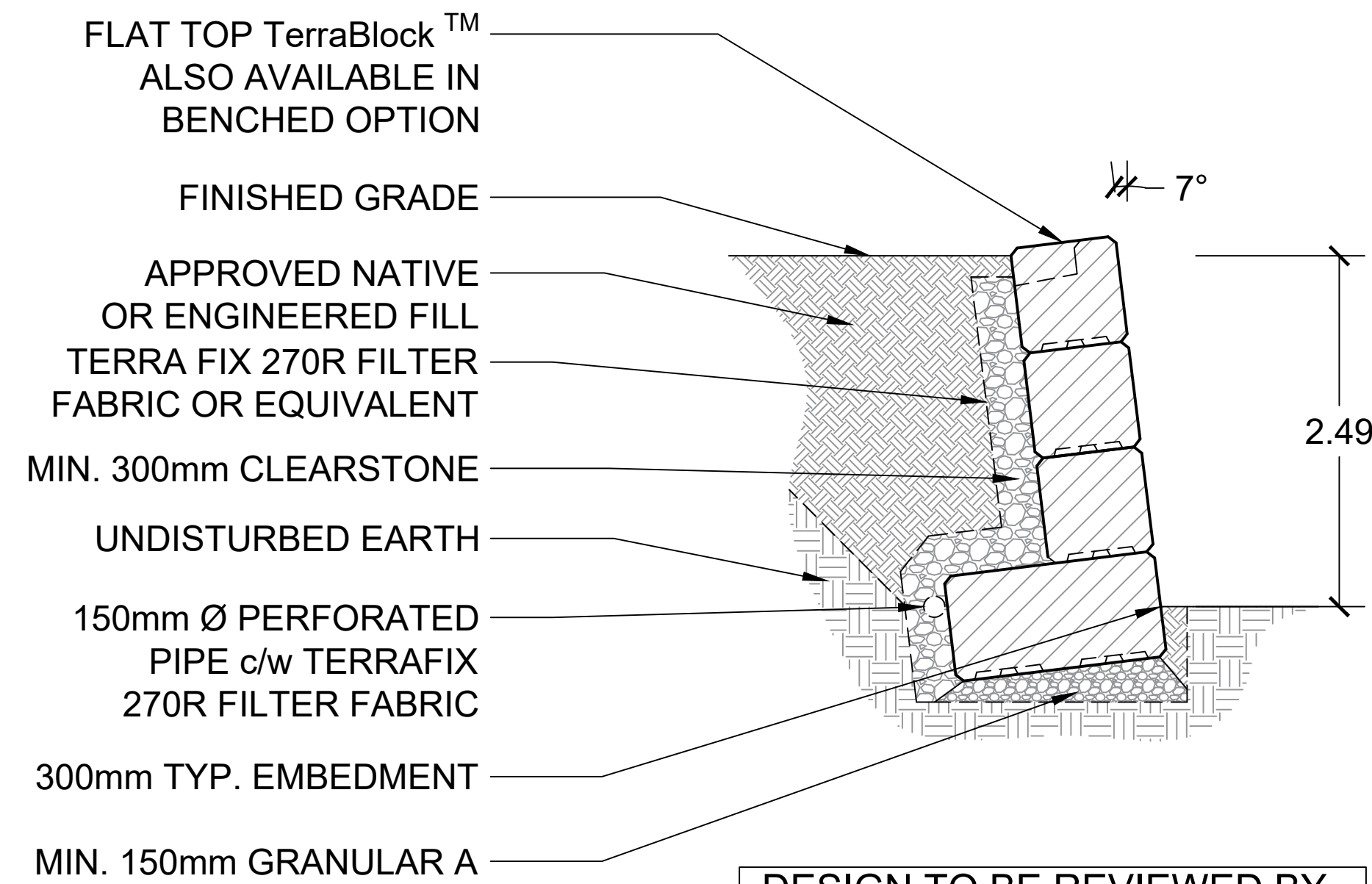
MAX RETAINED HEIGHT: 1.74m



DESIGN TO BE REVIEWED BY PROFESSIONAL ENGINEER PRIOR TO CONSTRUCTION

DNM TerraBlock™ TYPICAL DETAIL

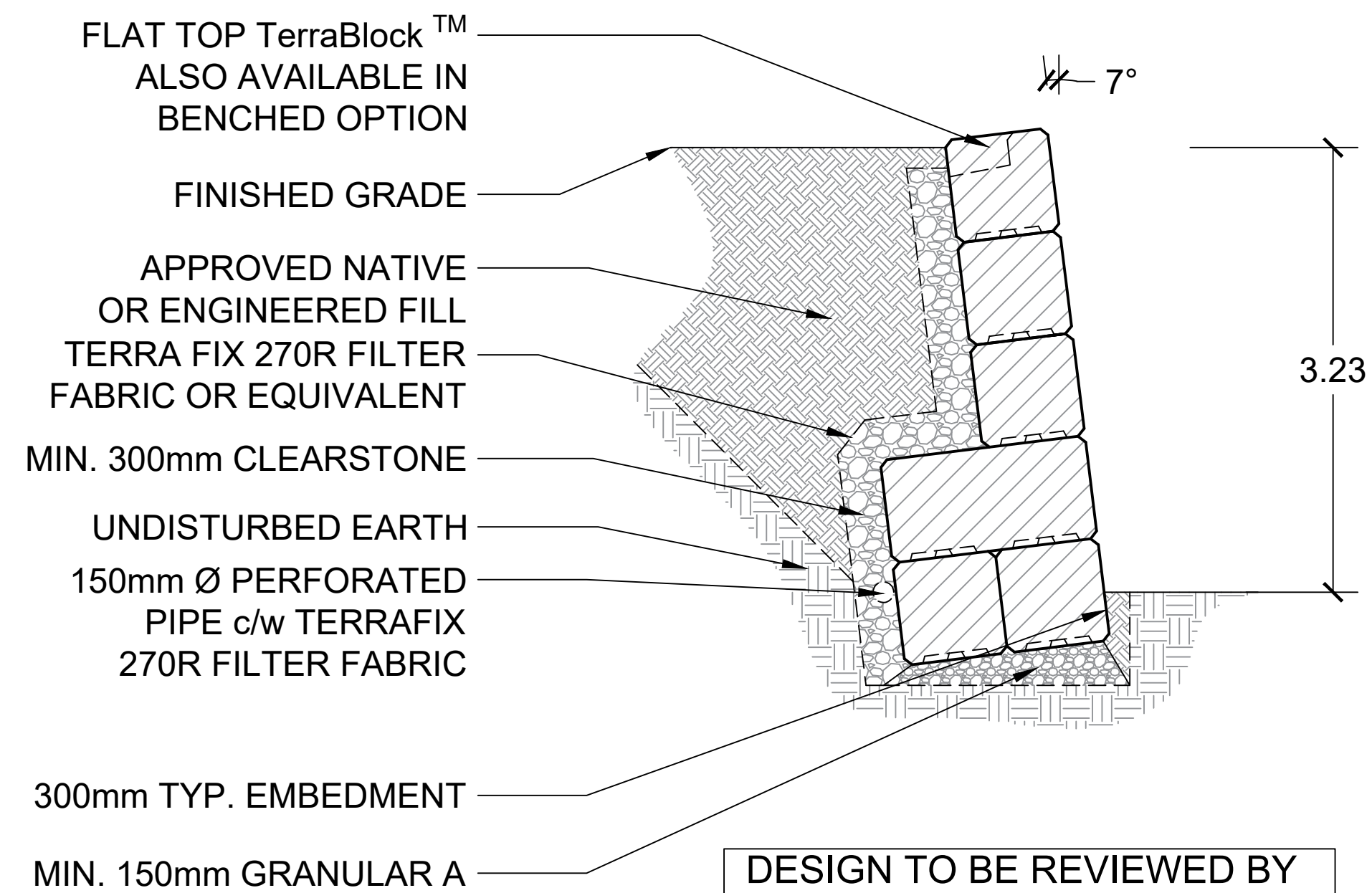
MAX RETAINED HEIGHT: 2.49m



DESIGN TO BE REVIEWED BY PROFESSIONAL ENGINEER PRIOR TO CONSTRUCTION

DNM TerraBlock™ TYPICAL DETAIL

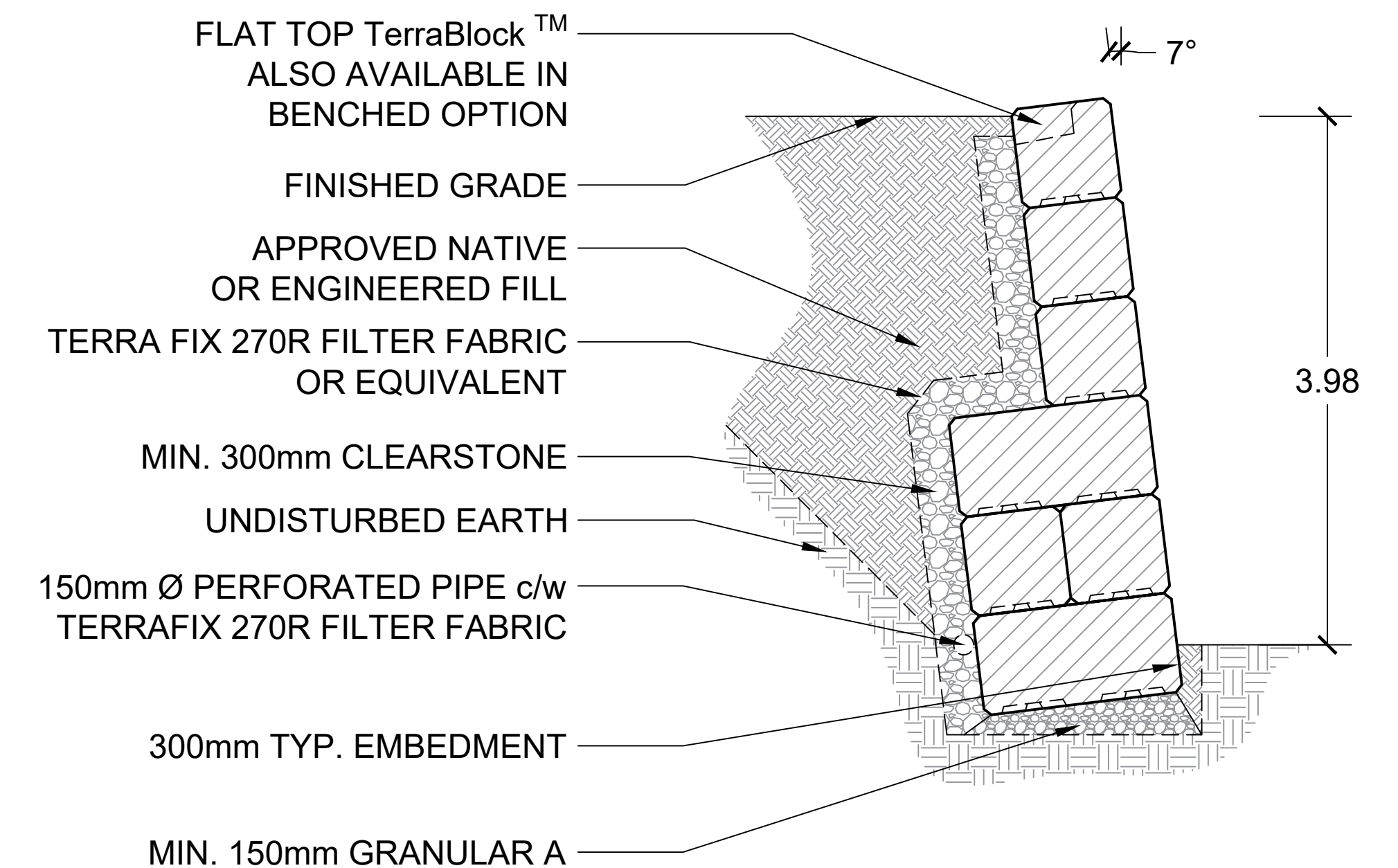
MAX RETAINED HEIGHT: 3.23m



DESIGN TO BE REVIEWED BY PROFESSIONAL ENGINEER PRIOR TO CONSTRUCTION

DNM TerraBlock™ TYPICAL DETAIL

MAX RETAINED HEIGHT: 3.98m



DESIGN TO BE REVIEWED BY PROFESSIONAL ENGINEER PRIOR TO CONSTRUCTION

C:\Users\Estimator\Desktop\DNM General\DNM_LOGO.jpg

PROJECT:				REV:	DESCRIPTION:	BY:	DATE:	SHEET No.
LOCATION:								
DRAWN BY:	CHECKED BY:	BLOCK FINISH:						
ESTIMATE No.		TOP COURSE:						
DATE:		CONSTRUCTION STYLE:						